



NORWEST

MANUFACTURING

71 SOUTH 215 WEST-RUPERT, ID- PHONE: (208) 436-1770 - FAX: (208) 436-1776

SECTION 400 PLOW PARTS



SWITCH SHARES



LW PLOW SHARES



RIB PLOW SHARES



MOLDBOARD SHINS



MOLDBOARDS



LANDSIDES



TRASHBOARDS

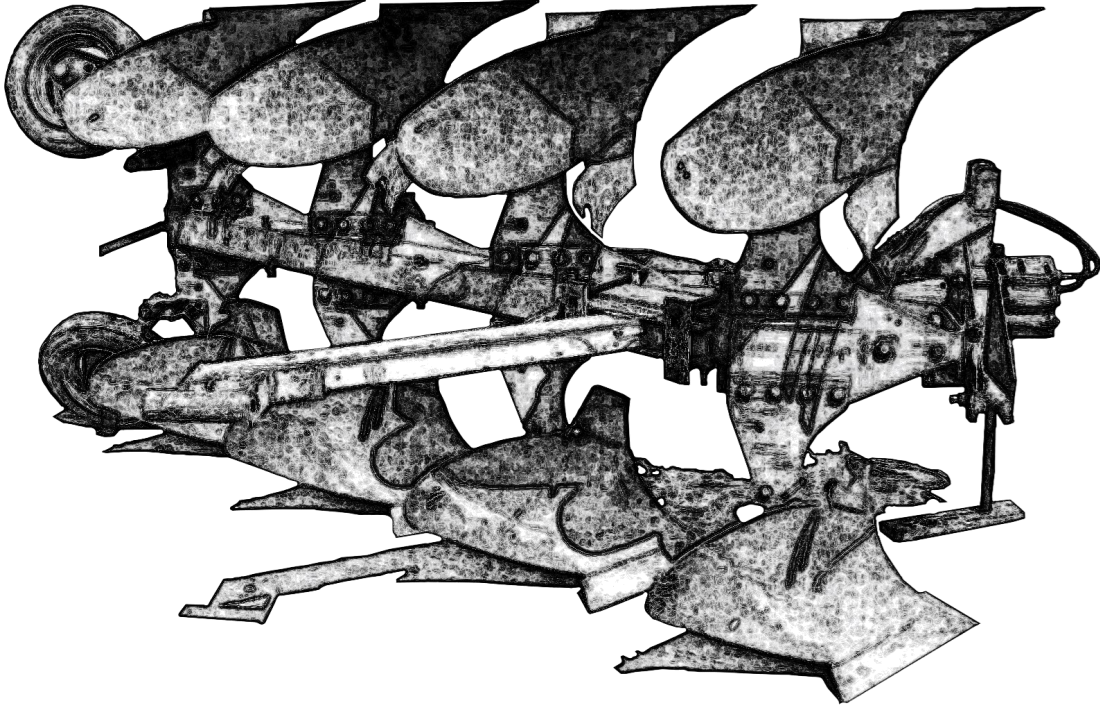


NORWEST

MANUFACTURING

71 SOUTH 215 WEST-RUPERT, ID- PHONE: (208) 436-1770 - FAX: (208) 436-1776

NORWEST PLOWSHARES



PLOW SHARES

RIB PLOW SHARES:

The Rib Share is made from a section with a “rib” running horizontally through the share for extra strength and wear. Rib shares are not available for all plow models. The Rib Share is oil-quenched and heat-treated.

Hardfacing is not recommended for Rib Shares. Bolts and nuts not included.

LW PLOW SHARES:

The LW Long Wear Share is a heavy duty share produced from a full 3/8” section. The long wear share is upset forged at the nose for long, break resistant wear. The LW Share is oil quenched and heat-treated.

LW PLOW SHARES HARDFACED: The LW Hardfaced Share is produced from boron steel with a 1/4” chromium carbide point and chromium carbide application on the cutting edge of the share. These are excellent for high abrasion soil conditions. Left Hand and Short Cut Shares available in most makes.

PLOW SHARES



*LWI184RP

for CASE/IH (Rib Shares)

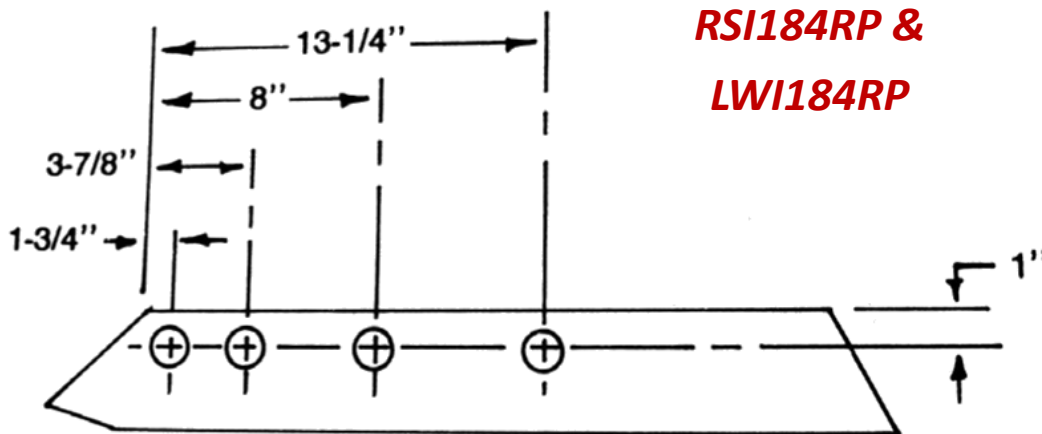
Nuts & Bolts NOT Included

NORWEST PART #	DESCRIPTION	SIZE	OEM #	# OF BOLT HOLES & HOLE SIZES	CTN. WEIGHT (Approx. LBS)
MODELS: SUPER CHIEF BOTTOMS					
18" Rib Shares					
RSI184LH	Left Hand; Hardfaced 18" Rib Share	3/8" x 18" - 20"	463238 1980956	(1) 1/2"	52 LBS per CTN/6
RSI184RH	Right Hand; Hardfaced 18" Rib Share			(3) 7/16"	
RSI184LP	Left Hand; Plain 18" Rib Share	3/8" x 18" - 20"	463238 1980956	(1) 1/2"	52 LBS per CTN/6
RSI184RP	Right Hand; Plain 18" Rib Share			(3) 7/16"	

for CASE/IH (LW Shares)

Nuts & Bolts NOT Included

MODELS: SUPER CHIEF					
18" LONG WEAR SHARES					
LWI184LH	Left Hand; Hardfaced 18" Rock Share (4) Hole	3/8" x 18"	463251R 463238R	(1) 1/2"	47 LBS per CTN/6
LWI184RH	Right Hand; Hardfaced 18" Rock Share (4) Hole			(3) 7/16"	
LWI184LP	Left Hand; Plain 18" Rock Share (4) Hole	3/8" x 18"	463251R 463238R	(1) 1/2"	52 LBS per CTN/6
LWI184RP	Right Hand; Plain 18" Rock Share (4) Hole			(3) 7/16"	





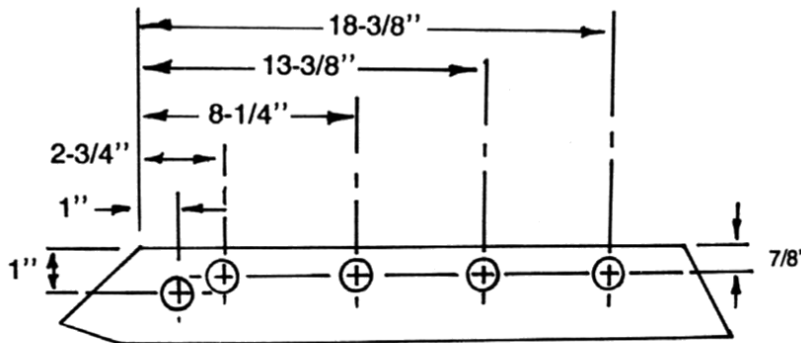
PLOW SHARES

for OLIVER & MINNEAPOLIS-MOLINE: *Nuts & Bolts NOT Included*
(LW Shares) USE OLIVER/WHITE & WATTS

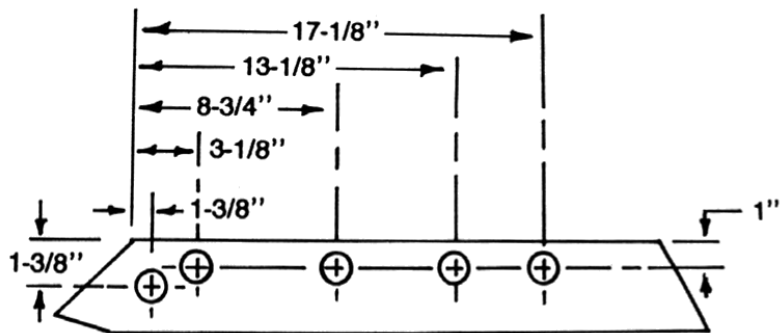
NORWEST PART #	DESCRIPTION	SIZE	OEM #	# OF BOLT HOLES & HOLE SIZES	CTN. WEIGHT (Approx. LBS)
LWO185LH	Left Hand; Hardfaced 18" Rock Share LW	3/8" x 18"	SBP219629BF	(1) 1/2"	47 LBS per CTN/6
LWO185RH	Right Hand; Hardfaced 18" Rock Share LW			(4) 7/16"	
LWO185LP	Left Hand; Plain 18" Rock Share LW	3/8" x 18"	SBP219629BF	(1) 1/2"	47 LBS per CTN/6
LWO185RP	Right Hand; Plain 18" Rock Share LW			(4) 7/16"	

for FORD (LW Shares) *Nuts & Bolts NOT Included*

NORWEST PART #	DESCRIPTION	SIZE	OEM #	# OF BOLT HOLES & HOLE SIZES	CTN. WEIGHT (Approx. LBS)
MODELS: GENERAL PURPOSE AND HEAVY DUTY SERIES					
LWFD185LP	Left Hand; Plain 18" Rock Share LW	3/8" x 18"	7101980	(5) 7/16"	54 LBS per CTN/6
LWFD185RP	Right Hand; Plain 18" Rock Share LW				



LWO185RP



LWFD185RP

PLOW SHARES



*RSJD185RH

for JOHN DEERE (Rib Shares)

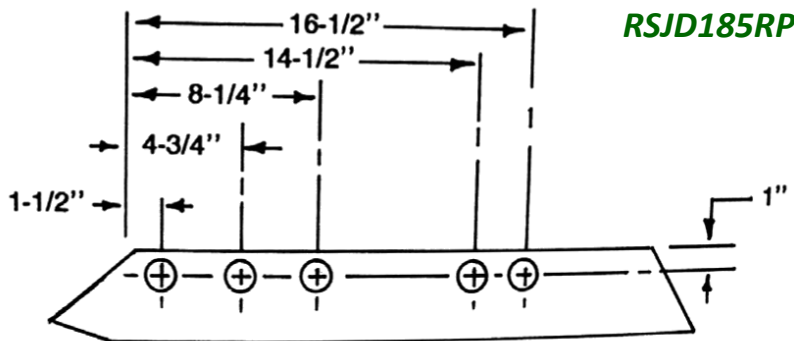
Nuts & Bolts NOT Included

NORWEST PART #	DESCRIPTION	SIZE	OEM #	# OF BOLT HOLES & HOLE SIZES	CTN. WEIGHT (Approx. LBS)
MODELS: HS 350, 356,400, SDT & NU BOTTOMS					
RSJD185LH	Left Hand; Hardfaced 18" Rib Share	3/8" x 18" - 20"	A14243	(1) 1/2"	52 LBS per CTN/6
RSJD185RH	Right Hand; Hardfaced 18" Rib Share			(4) 7/16"	
RSJD185LP	Left Hand; Plain 18" Rib Share	3/8" x 18" - 20"	A14243	(1) 1/2"	52 LBS per CTN/6
RSJD185RP	Right Hand; Plain 18" Rib Share			(4) 7/16"	
MODELS: METRIC NU-450 BOTTOMS					
RSJDM183LH	Left Hand; Hardfaced 18" Rib Share	3/8" x 18"	A42808 A30951	(3) 16mm	52 LBS per CTN/6
RSJDM183RH	Right Hand; Hardfaced 18" Rib Share				
RSJDM183LP	Left Hand; Plain 18" Rib Share	3/8" x 18"	A42808 A30951	(3) 16mm	52 LBS per CTN/6
RSJDM183RP	Right Hand; Plain 18" Rib Share				

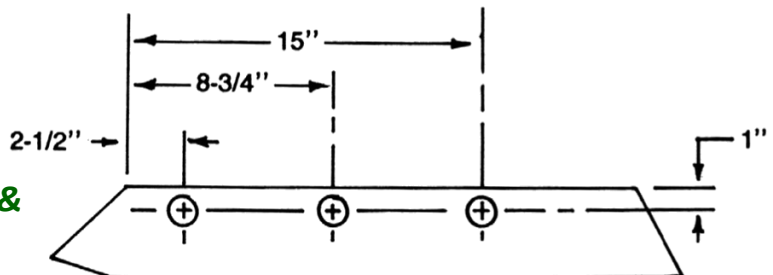
for JOHN DEERE (LW Shares)

Nuts & Bolts NOT Included

MODELS: METRIC NU BOTTOMS; NU400-NU450					
LJDM183RH	18" Right Hand Metric LW Plow Share; Hardfaced	450mm 3/8" X 18"	A30951, A32217, A32221, A32222, A40407, A40408, A42806, A42807, A42808	(3) 16mm	57 LBS per CTN/6
LJDM183RP	18" Right Hand Metric LW Plow Share; Plain			(3) 16mm	57 LBS per CTN/6



RSJDM183RP & LJDM183RP





*RSMF164LP

PLOW SHARES

for MASSEY FERGUSON (LW Shares)

Nuts & Bolts NOT Included

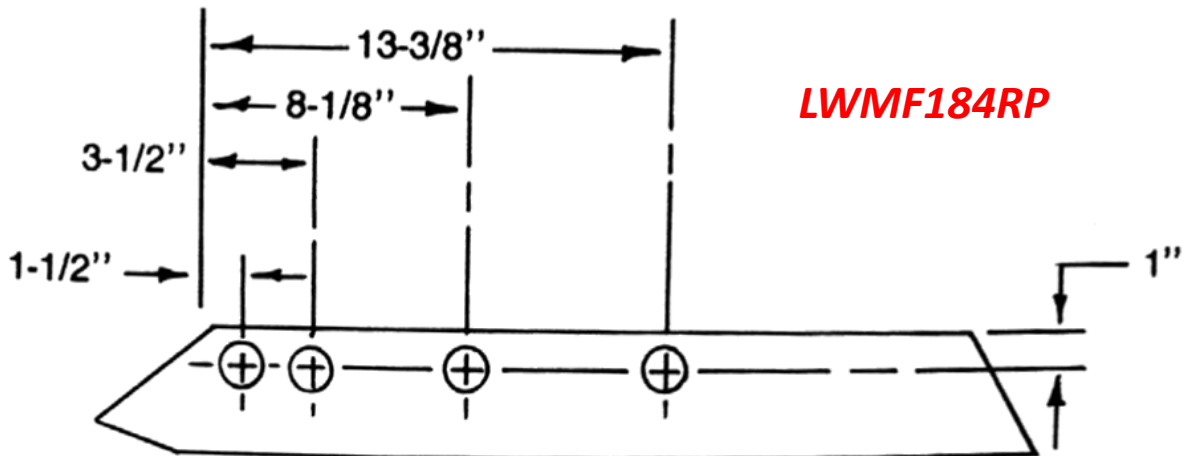
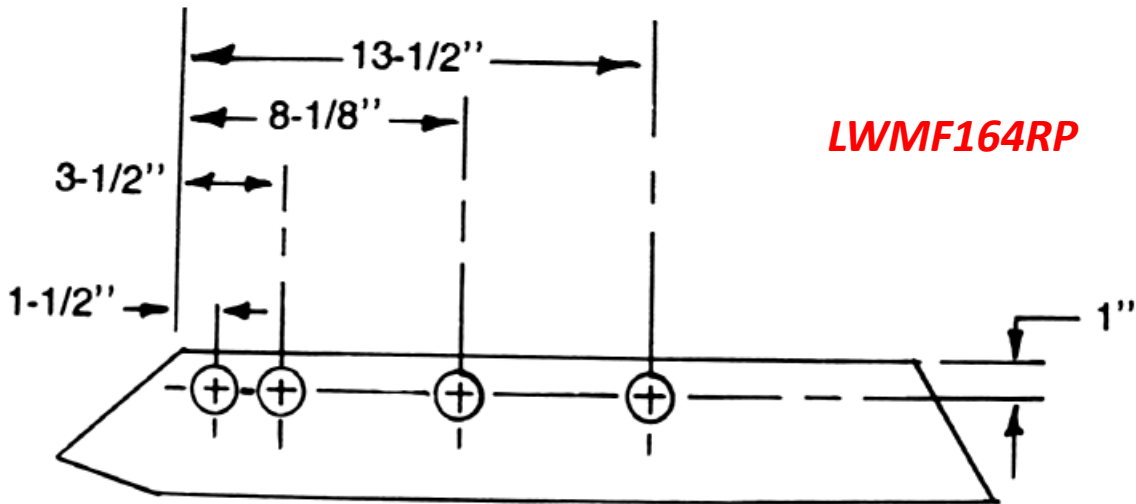
MODELS: N BOTTOM

16" Rock Shares

LWMF164LP	Left Hand; Plain 16" Rock Share LW	3/8" x 16"	475716M1	(4) 1/2"	47 LBS per CTN/6
LWMF164RP	Right Hand; Plain 16" Rock Share LW				

18" Rock Shares

LWMF184LP	Left Hand; Plain 18" Rock Share LW	3/8" x 18"	475823M1	(4) 1/2"	52 LBS per CTN/6
LWMF184RP	Right Hand; Plain 18" Rock Share LW				



PLOW SHARES



for MELROE (LW Shares)

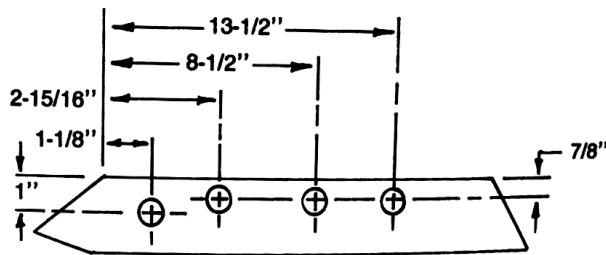
Nuts & Bolts NOT Included

NORWEST PART #	DESCRIPTION	SIZE	OEM #	# OF BOLT HOLES & HOLE SIZES	CTN. WEIGHT (Approx. LBS)
MODELS: OLIVER STYLE BOTTOMS					
16" Rock Shares					
LWM164RP	Right Hand; Plain 16" Rock Share LW	3/8" x 16"	6526832	(4) 7/16"	47 LBS per CTN/6
18" Rock Shares					
LWM184RP	Right Hand; Plain 18" Rock Share LW	3/8" x 18"	6526829	(4) 7/16"	52 LBS per CTN/6

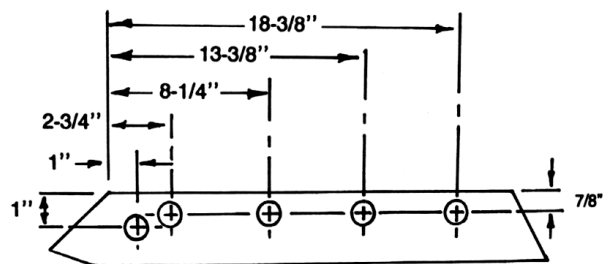
for OLIVER/WHITE (Rib Shares)

Nuts & Bolts NOT Included

NORWEST PART #	DESCRIPTION	SIZE	OEM #	# OF BOLT HOLES & HOLE SIZES	CTN. WEIGHT (Approx. LBS)
18" Rib Shares					
RSO185LH	Left Hand; Hardfaced 18" Rib Share	3/8" x 18"	220024BS	(1) 1/2"	52LBS per CTN/6
RSO185RH	Right Hand; Hardfaced 18" Rib Share			(4) 7/16"	
RSO185LP	Left Hand; Plain 18" Rib Share	3/8" x 18"	220024BS	(1) 1/2"	52LBS per CTN/6
RSO185RP	Right Hand; Plain 18" Rib Share			(4) 7/16"	

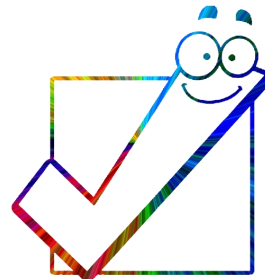


LWM164RP & LWM184RP



RSO185RP

Don't Forget!
Plow Parts are NOT sold with Fasteners.
Make sure to include Nuts & Bolts with your order.





*RSW184LP

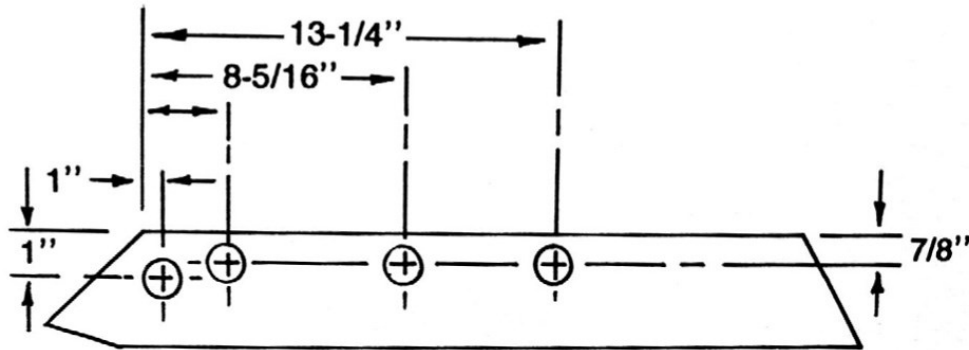
PLOW SHARES

for **WIL-RICH** (LW Shares)

Nuts & Bolts NOT Included

MODELS: DEEP-TILL BOTTOM

LWR184RP	Right Hand; Plain 18" Rock Share LW	3/8" x 18"	20033	(4) 1/2"	52LBS per CTN/6
----------	----------------------------------------	------------	-------	----------	--------------------



LWR184RP



NORWEST
MANUFACTURING

CHECK OUT OUR WEBSITE!



- *Learn about Norwest Manufacturing*
 - *View our Online Catalog*
 - *View our Special Promotions*
 - *Print an Updated Catalog*

www.norwest-mfg.com



NORWEST

MANUFACTURING

71 SOUTH 215 WEST-RUPERT, ID- PHONE: (208) 436-1770 - FAX: (208) 436-1776

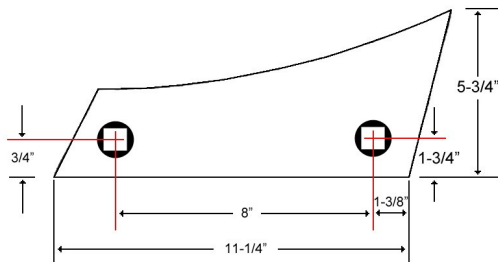


MOLDBOARD SHINS:

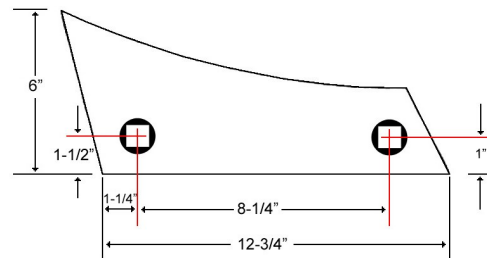
Moldboard Shins are made of 5/16" high carbon steel, oil-quenched and heat-treated. Nuts and bolts included.

for CASE/IH		Nuts & Bolts NOT Included			
NORWEST PART #	DESCRIPTION	SIZE	OEM #	# OF BOLT HOLES & HOLE SIZES	CTN. WEIGHT (Approx. LBS)
MODELS: NEW 18", T-89974					
WO-9	Right Hand Shin	5/16" x 18"	T-57747	(2) 7/16"	21.5 LBS per CTN/6
WO-9-L	Left Hand Shin	5/16" x 18"	—	(2) 7/16"	21.5 LBS per CTN/6
MODELS: SUPER CHIEF					
WI-25	Right Hand Shin	5/16" x 14", 16", 18" or 20"	522325R 132001C1 488266R	(2) 7/16"	24 LBS per CTN/6
WI-25-L	Left Hand Shin	5/16" x 14", 16", 18" or 20"	55075C 464595 1284101C1	(2) 7/16"	24 LBS per CTN/6

for DMI		Nuts & Bolts NOT Included			
NORWEST PART #	DESCRIPTION	SIZE	OEM #	# OF BOLT HOLES & HOLE SIZES	CTN. WEIGHT (Approx. LBS)
MODELS: HYDRA -WIDE					
WO-9	Right Hand Shin	5/16" x 16 & 18"	33111602	(2) 7/16"	21 LBS per CTN/6
WO-9-L	Left Hand Shin	5/16" x 16 & 18"	—	(2) 7/16"	21 LBS per CTN/6



WO-9



WI-25-L

MOLDBOARD SHINS



for JOHN DEERE

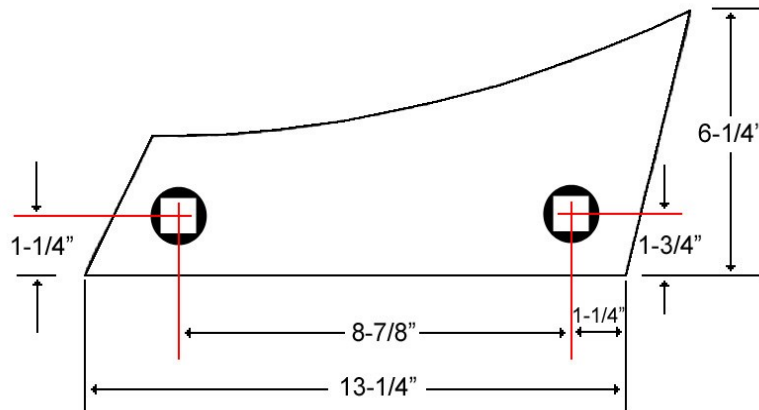
Nuts & Bolts NOT Included

NORWEST PART #	DESCRIPTION	SIZE	OEM #	# OF BOLT HOLES & HOLE SIZES	CTN. WEIGHT (Approx. LBS)
MODELS: NU1036, NU1046, NU1048					
WD-3	Right Hand Shin	5/16" x 16"-18"	A15594	(2) 7/16"	26 LBS per CTN/6
WD-3-L	Left Hand Shin	5/16" x 16"-18"	A15606	(2) 7/16"	26 LBS per CTN/6

for MASSEY FERGUSON

Nuts & Bolts NOT Included

NORWEST PART #	DESCRIPTION	SIZE	OEM #	# OF BOLT HOLES & HOLE SIZES	CTN. WEIGHT (Approx. LBS)
MODELS: "N" BOTTOM & "N" HEAVY DUTY					
WMFS	Right Hand Shin	5/16" x 14", 16" or 18"	660008M1 660020M1	(2) 7/16"	21 LBS per CTN/6



WD-3

Remember when replacing one part on a plow, it may be necessary to loosen other parts to allow for wear.

For example, when replacing the shin, it may be necessary to loosen the moldboard and the share to allow the new part to fit. Then simply tighten other parts when proper alignment is achieved.



MOLDBOARD SHINS

for MELROE

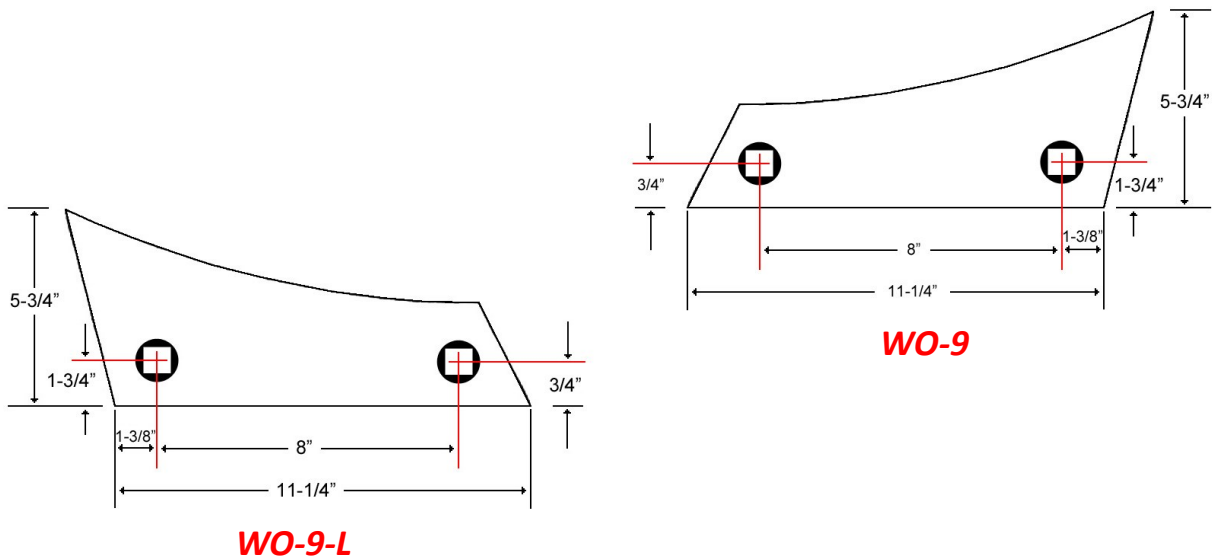
Nuts & Bolts NOT Included

NORWEST PART #	DESCRIPTION	SIZE	OEM #	# OF BOLT HOLES & HOLE SIZES	CTN. WEIGHT (Approx. LBS)
MODELS: OLIVER STYLE BOTTOMS					
WO-9	Right Hand Shin	5/16" x 14", 16" & 18"	6522182 P14617	(2) 7/16"	21 LBS per CTN/6
WO-9-L	Left Hand Shin	5/16" x 14", 16" & 18"	—	(2) 7/16"	21 LBS per CTN/6

for OLIVER & MINNEAPOLIS MOLINE & WATTS

Nuts & Bolts NOT Included

NORWEST PART #	DESCRIPTION	SIZE	OEM #	# OF BOLT HOLES & HOLE SIZES	CTN. WEIGHT (Approx. LBS)
MODELS: NL SERIES (Minneapolis Moline) & GENERAL PURPOSE (National David Brown)					
WO-9	Right Hand Shin	5/16" x 14", 16"	7490	(2) 7/16"	21.5 LBS per CTN/6
WO-9-L	Left Hand Shin	5/16" x 14", 16"	—	(2) 7/16"	21.5 LBS per CTN/6



Remember when replacing one part on a plow, it may be necessary to loosen other parts to allow for wear.

For example, when replacing the shin, it may be necessary to loosen the moldboard and the share to allow the new part to fit. Then simply tighten other parts when proper alignment is achieved.

MOLDBOARD SHINS

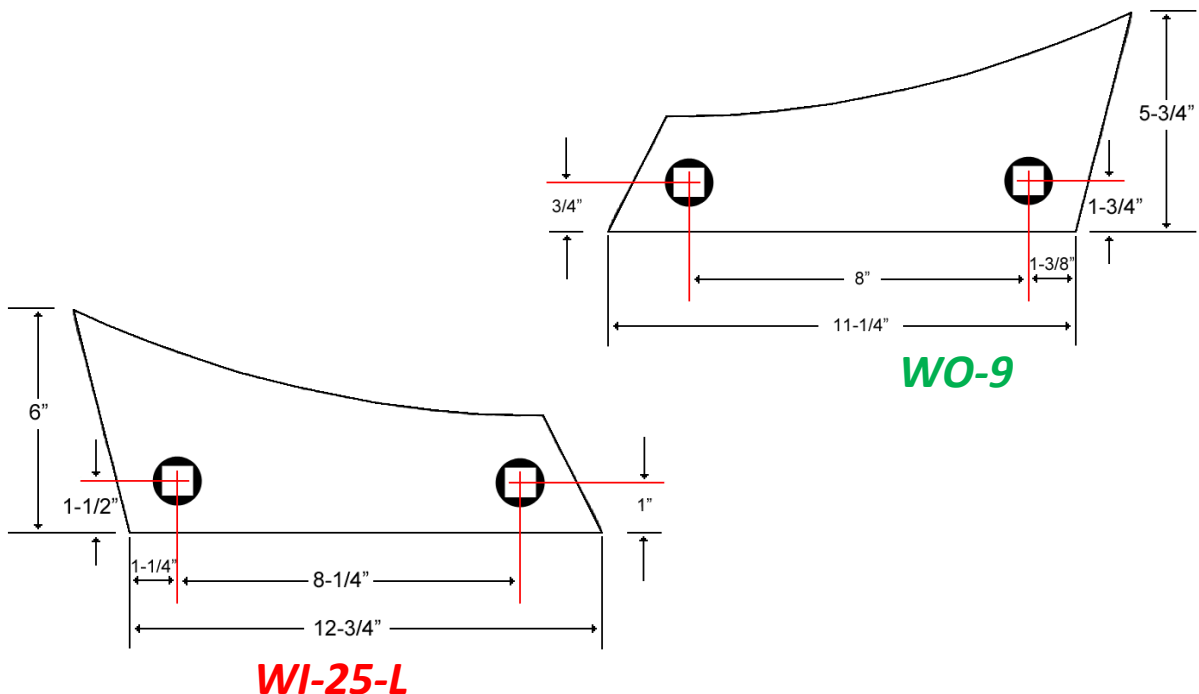


for OLIVER/WHITE Nuts & Bolts NOT Included

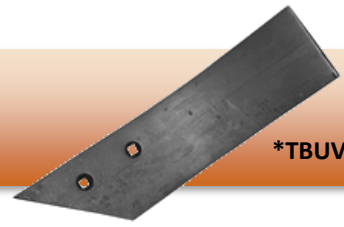
NORWEST PART #	DESCRIPTION	SIZE	OEM #	# OF BOLT HOLES & HOLE SIZES	CTN. WEIGHT (Approx. LBS)
MODELS: 225 & 425-625					
WO-8	Right Hand Shin	5/16" x 12", 14", 16" or 18"	EP7488C	(2) 3/8"	19 LBS per CTN/6
MODELS: 219, 419, 519, 619, 719					
WO-9	Right Hand Shin	5/16" x 12", 14", 16" or 18"	EP7490C	(2) 7/16"	21.5 LBS per CTN/6
WO-9-L	Left Hand Shin	5/16" x 12", 14", 16" or 18"	217404BS	(2) 7/16"	21.5 LBS per CTN/6

for WIL-RICH Nuts & Bolts NOT Included

NORWEST PART #	DESCRIPTION	SIZE	OEM #	# OF BOLT HOLES & HOLE SIZES	CTN. WEIGHT (Approx. LBS)
MODELS: GENERAL PURPOSE & HEAVY DUTY					
WO-9	Right Hand Shin	5/16" x 16" or 18"	213022 A4257 22809	(2) 7/16"	21.5 LBS per CTN/6
WO-9-L	Left Hand Shin	5/16" x 16" or 18"	—	(2) 7/16"	21.5 LBS per CTN/6
MODELS: IH BOTTOM					
WI-25	Right Hand Shin	5/16" X 18"	21572	(2) 7/16"	24 LBS per CTN/6
WI-25-L	Left Hand Shin	5/16" X 18"	—	(2) 7/16"	24 LBS per CTN/6



TRASHBOARDS



TRASHBOARDS:

Trashboards are made of 5/16" thick steel, heat treated, and available in left or right hand.

for CASE/IH Nuts & Bolts NOT Included					
NORWEST PART #	DESCRIPTION	SIZE	OEM #	# OF BOLT HOLES & HOLE SIZES	CTN. WEIGHT (Approx. LBS)
MODELS: SUPER CHIEF					
TBIH	Trashboard	5/16"	—	(2) 3/8"	31.5 LBS per CTN/6
TBIH-L	Trashboard	5/16"	—	(2) 3/8"	31.5 LBS per CTN/6

for JOHN DEERE Nuts & Bolts NOT Included					
NORWEST PART #	DESCRIPTION	SIZE	OEM #	# OF BOLT HOLES & HOLE SIZES	CTN. WEIGHT (Approx. LBS)
MODELS: HS356, 400, 500, & SDT; NU1036-1046 & NU1048; NU400-NU450 METRIC SERIES					
TBJD	Right Hand Trashboard <i>(Metric)</i>	5/16"	—	(2) 7/16"	31 LBS per CTN/6
TBJDL	Left Hand Trashboard <i>(Metric)</i>	5/16"	—	(2) 7/16"	32 LBS per CTN/6

for ALLIS CHALMERS, OLIVER/WHITE Nuts & Bolts NOT Included					
Will Also Fit: NEWER CASE, FORD, MELROE & WIL-RICH					
NORWEST PART #	DESCRIPTION	SIZE	OEM #	# OF BOLT HOLES & HOLE SIZES	CTN. WEIGHT (Approx. LBS)
MODELS: ALLIS CHALMERS: 387 SERIES (<i>Dropped Front Hole</i>); MELROE: OLIVER STYLE BOTTOMS, 987 SERIES; OLIVER/WHITE: 588 & 598 SERIES (<i>Deep-till Bottom</i>), 625, 425 & 225 SERIES; OLIVER: R419 & R619 SERIES; WIL-RICH: OLIVER STYLE BOTTOM & DEEP-TILL BOTTOM.					
TBUV	Right Hand Trashboard	5/16"	—	(2) 3/8"	32 LBS per CTN/6
TBUVL	Left Hand Trashboard	5/16"	—	(2) 3/8"	32 LBS per CTN/6
*TBJD	Right Hand Trashboard <i>(Metric)</i>	5/16"	<i>*Fits John Deere & Wil-Rich Plows</i>	(2) 7/16"	31 LBS per CTN/6

Norwest Part #
TBIH/TBIH-L

Norwest Part #
TBJD/TBJDL

Norwest Part #
TBUV/TBUVL



***Right Hand Trashboards Shown.*



NORWEST

MANUFACTURING

71 SOUTH 215 WEST-RUPERT, ID- PHONE: (208) 436-1770 - FAX: (208) 436-1776

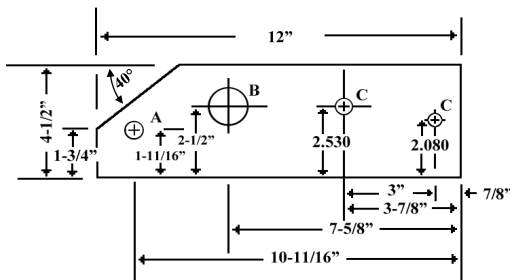


LANDSIDES & WEAR PADS

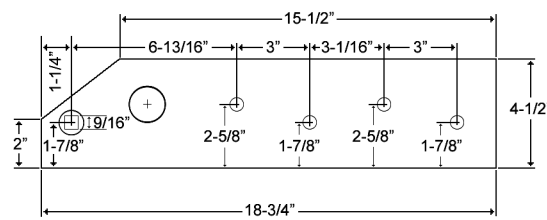
LANDSIDES: DON'T SEE WHAT YOU NEED? WE CAN CUSTOM FABRICATE MOST LANDSIDES!

Landsides are either drop forged or sheared, depending upon configuration. Landsides are made of high carbon steel, oil-quenched and heat-treated.

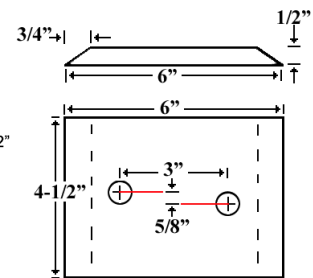
for CASE/IH				Nuts & Bolts NOT Included	
NORWEST PART #	DESCRIPTION	SIZE	OEM #	# OF BOLT HOLES & HOLE SIZES	CTN. WEIGHT (Approx. LBS)
MODELS: SUPER CHIEF					
058UV	Right Hand Landside Wear Plate	1/2"	59058	(2) 7/16"	22 LBS per CTN/6
058UVL	Left Hand Landside Wear Plate	1/2"	59058	(2) 7/16"	22 LBS per CTN/6
MODELS: ALL BOTTOMS					
59057	Right Hand Inner Landside Plate	1/2"	59057 1980672C	(1) 7/16" (2) 1/2"	45 LBS per CTN/6
59057L	Left Hand Inner Landside Plate	1/2"	59057 1980671C	(1) 7/16" (2) 1/2"	45 LBS per CTN/6
Z-59057XL <i>for rear plow bottom</i>	Right Hand Inner Landside Plate: <i>Nuts & Bolts Not Included</i>	1/2"	59057 1980672C	(5) 9/16" (1) 1-1/2"	11 LBS EACH
Z-59057XLL <i>for rear plow bottom</i>	Left Hand Inner Landside Plate: <i>Nuts & Bolts Not Included</i>	1/2"	59057 1980671C	(5) 9/16" (1) 1-1/2"	11 LBS EACH



59057



Z-59057XL



058UV

The 59057/back plate, 058UV/wear pad assembly can be used to replace the older 342 front & 343 rear landside by using the 59057/058UV for both front & rear.

59057: (A) 7/16 x 1-1/2"CH

(B) 1-1/4" Hole

(C) 1/2" Hole



LANDSIDES & WEAR PADS

for JOHN DEERE

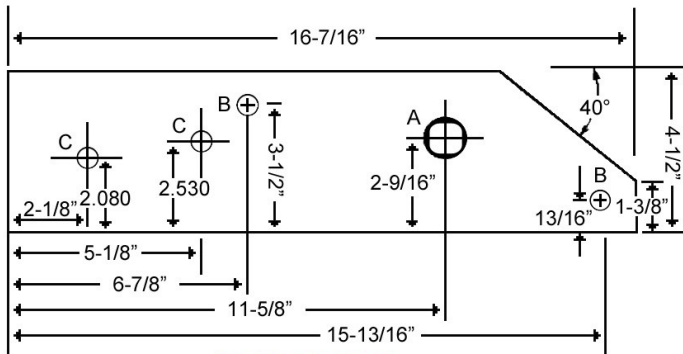
Nuts & Bolts NOT INCLUDED

NORWEST PART #	DESCRIPTION	SIZE	OEM #	# OF BOLT HOLES & HOLE SIZES	CTN. WEIGHT (Approx. LBS)
MODELS: SWITCH PLOW					
57046	Landside Wear Pad; (2) Hole	1/2"	57046	(2) 1/2"	24 LBS per CTN/6

for MASSEY FERGUSON

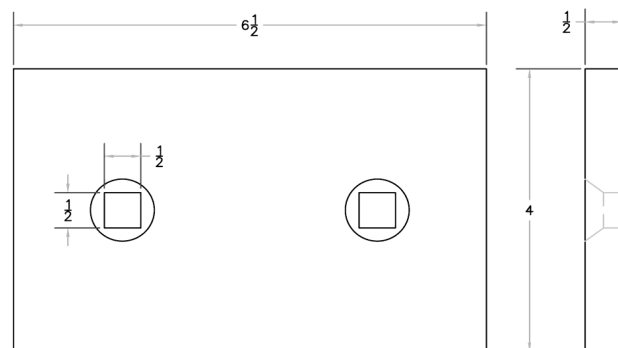
Nuts & Bolts NOT INCLUDED

NORWEST PART #	DESCRIPTION	SIZE	OEM #	# OF BOLT HOLES & HOLE SIZES	CTN. WEIGHT (Approx. LBS)
MODELS: "N" BOTTOM (NEWER "N" SERIES & 88 SERIES)					
475WR	Right Hand; Front or Rear Landside	1/2"	475153M1F 475973M1R	(2) 7/16" (1) 5/8" (2) 1/2" Plain Hole	60 LBS per CTN/6
--	<i>For Left Hand Landsides, order 475WR , flip over and use carriage bolts to mount.</i>				



A= 5/8" x 3" PH (1)
 B= 7/16" x 2" PH (1)
 C= 7/16" x 2-1/2" PH (2)

475WR



57046

LANDSIDES & WEAR PADS



for MELROE

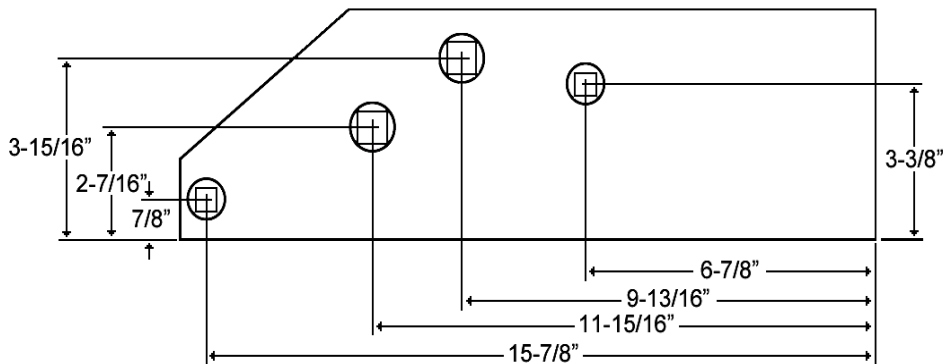
Nuts & Bolts NOT Included

NORWEST PART #	DESCRIPTION	SIZE	OEM #	# OF BOLT HOLES & HOLE SIZES	CTN. WEIGHT (Approx. LBS)
MODELS: OLIVER STYLE BOTTOMS					
847W	Right Hand Landside Wear Pad	1/2" Wear Pad	6526847	(2) 7/16"	22 LBS per CTN/6

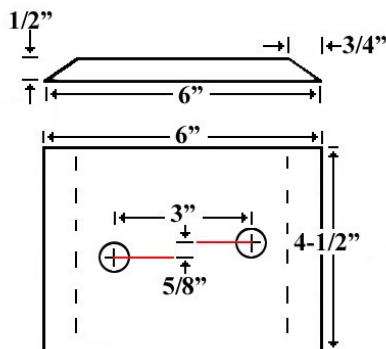
for OLIVER & WATTS

Nuts & Bolts NOT Included

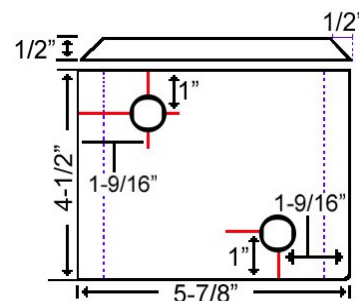
NORWEST PART #	DESCRIPTION	SIZE	OEM #	# OF BOLT HOLES & HOLE SIZES	CTN. WEIGHT (Approx. LBS)
MODELS: R419 & R619					
058UV	Right Hand Landside Wear Plate	1/2"	—	(2) 7/16"	22 LBS per CTN/6
058UVL	Left Hand Landside Wear Plate	1/2"	—	(2) 7/16"	22 LBS per CTN/6
Z-WATTLR	Right Hand Landside	1/2"	—	(2) 5/8" (2) 7/16"	10.5 LBS EACH
Z-WATTLR	Left Hand Landside	1/2"	—	(2) 5/8" (2) 7/16"	10.5 LBS EACH



Z-WATTLR



058UVL



847W



NORWEST

MANUFACTURING

71 SOUTH 215 WEST-RUPERT, ID- PHONE: (208) 436-1770 - FAX: (208) 436-1776



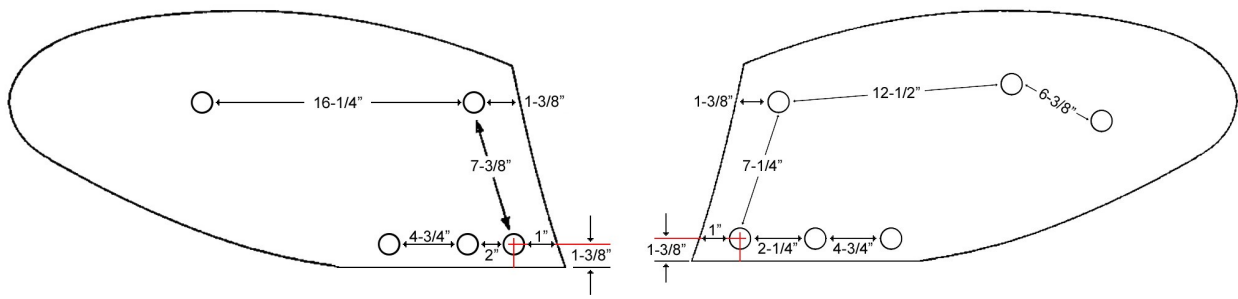
MOLDBOARDS

MOLDBOARDS:

Moldboards are offered for plow bottoms using blade type shares. The solid steel moldboards offer the farmer an economical moldboard with the same top quality as our other products. These moldboards are recommended for all types of soil where scouring is not a problem. All moldboards are oil-quenched and heat-treated.

for DMI		Nuts & Bolts NOT Included			
NORWEST PART #	DESCRIPTION	SIZE	OEM #	# OF BOLT HOLES & HOLE SIZES	WEIGHT EACH (Approx. LBS)
MODELS: HYDRA –WIDE					
R419-R619-16	Right Hand Moldboard	5/16" x 16" or 18"	33111601	(5) 7/16"	30 LBS
R419-R619-16L	Left Hand Moldboard	5/16" x 16" or 18"	33111601L	(5) 7/16"	30 LBS

for CASE/IH		Nuts & Bolts NOT Included			
NORWEST PART #	DESCRIPTION	SIZE	OEM #	# OF BOLT HOLES & HOLE SIZES	WEIGHT EACH (Approx. LBS)
MODELS: SUPER CHIEF					
462314**	Right Hand Moldboard	5/16" x 16", 18", & 20"	462314R 488265R 58996C	(4) 7/16"	33 LBS
464603	Left Hand Moldboard	5/16" x 16", 18", & 20"	46403L	(4) 7/16"	33 LBS
** HIGH SPEED					



R419-R619-16

464603

MOLDBOARDS



for JOHN DEERE Nuts & Bolts NOT Included

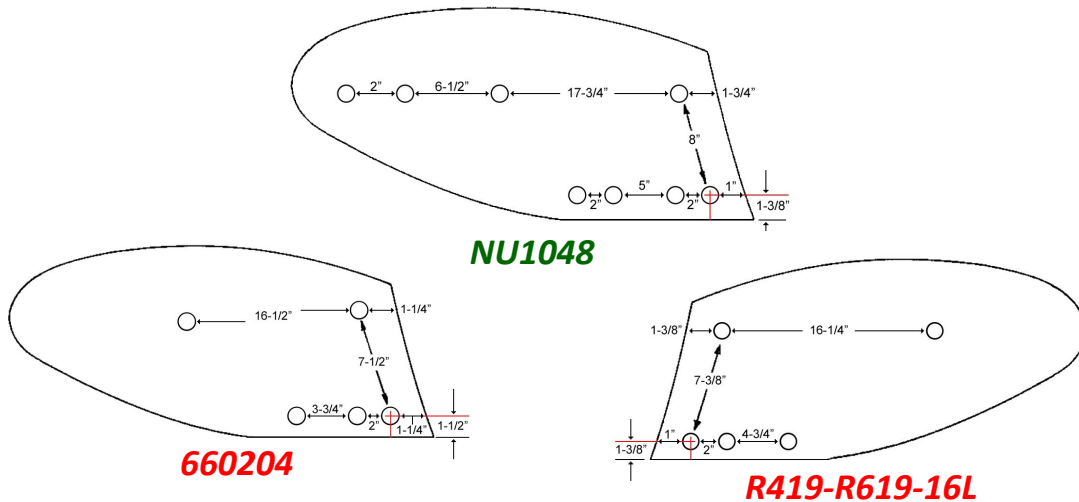
NORWEST PART #	DESCRIPTION	SIZE	OEM #	# OF BOLT HOLES & HOLE SIZES	WEIGHT EACH (Approx. LBS)
MODELS: NU1048					
NU1048	Right Hand Moldboard	5/16" x 18"	A17431	(8) 7/16"	38 LBS
NU1048L	Left Hand Moldboard	5/16" x 18"	A17432	(8) 7/16"	38 LBS
MODELS: NU400-NU450 METRIC SERIES					
32209	Right Hand Metric Moldboard	5/16" x 18"	32209	(4) 7/16"	38 LBS

for MASSEY FERGUSON Nuts & Bolts NOT Included

NORWEST PART #	DESCRIPTION	SIZE	OEM #	# OF BOLT HOLES & HOLE SIZES	WEIGHT EACH (Approx. LBS)
MODELS: "N" BOTTOM					
660204	Right Hand Moldboard	5/16" x 16"	660204-M1 660206	(5) 7/16"	29 LBS
661651L	Left Hand Moldboard	5/16" x 16"	66165L	(5) 7/16"	29 LBS

for MELROE Nuts & Bolts NOT Included

NORWEST PART #	DESCRIPTION	SIZE	OEM #	# OF BOLT HOLES & HOLE SIZES	WEIGHT EACH (Approx. LBS)
MODELS: OLIVER STYLE BOTTOMS					
R419-R619-16	Right Hand Moldboard	5/16" x 16"	6522185	(5) 7/16"	30 LBS
R419-R619-16L	Left Hand Moldboard	5/16" x 16"	6522185L	(5) 7/16"	30 LBS





MOLDBOARDS

for MINNEAPOLIS MOLINE & DAVID BROWN *Nuts & Bolts NOT Included*

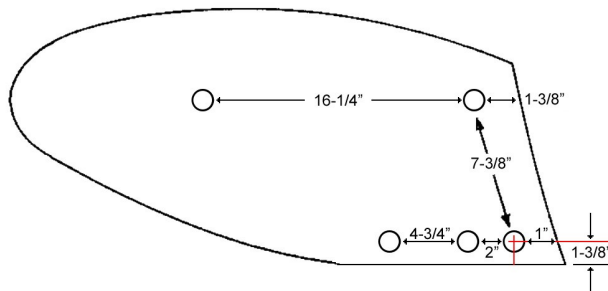
NORWEST PART #	DESCRIPTION	SIZE	OEM #	# OF BOLT HOLES & HOLE SIZES	WEIGHT EACH (Approx. LBS)
MODELS: NL SERIES (Minneapolis Moline) & GENERAL PURPOSE (National David Brown)					
R419-R619-16	Right Hand Moldboard	5/16" x 16"	20P42 HS-139	(5) 7/16"	30 LBS
R419-R619-16L	Left Hand Moldboard	5/16" x 16"	—	(5) 7/16"	30 LBS

for OLIVER *Nuts & Bolts NOT Included*

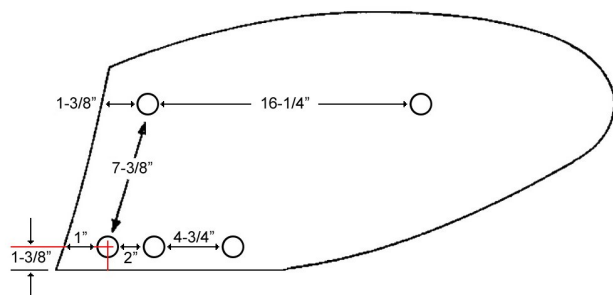
NORWEST PART #	DESCRIPTION	SIZE	OEM #	# OF BOLT HOLES & HOLE SIZES	WEIGHT EACH (Approx. LBS)
MODELS: R419 & R619					
R419-R619-16	Right Hand Moldboard	5/16" x 16"	R419-16	(5) 7/16"	30 LBS
R419-R619-16L	Left Hand Moldboard	5/16" x 16"	R419-16L	(5) 7/16"	30 LBS

for WIL-RICH *Nuts & Bolts NOT Included*

NORWEST PART #	DESCRIPTION	SIZE	OEM #	# OF BOLT HOLES & HOLE SIZES	WEIGHT EACH (Approx. LBS)
MODELS: OLIVER STYLE BOTTOM					
R419-R619-16	Right Hand Moldboard	5/16" x 16"	215802 A4258	(5) 7/16"	30 LBS
R419-R619-16L	Left Hand Moldboard	5/16" x 16"	—	(5) 7/16"	30 LBS



R419-R619-16



R419-R619-16L



NORWEST

MANUFACTURING

71 SOUTH 215 WEST-RUPERT, ID- PHONE: (208) 436-1770 - FAX: (208) 436-1776



SWITCH PLOW PARTS



SWITCH PLOW SHARES:

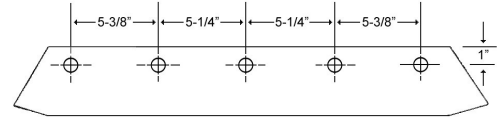
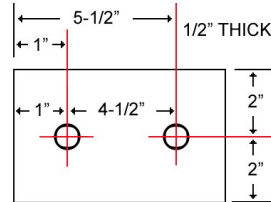
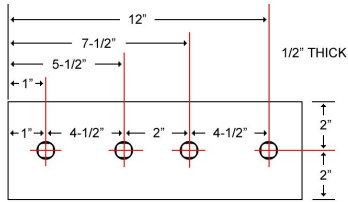
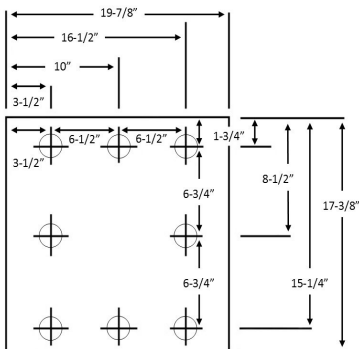
Switch plow shares are designed and manufactured to use with the new two-way plows such as John Deere, Harrell, Long, and others.

SWITCH PLOW PARTS:

Switch plow parts are manufactured using high-carbon, heat-treated steel. Moldboards and shins are manufactured using solid steel. **All parts are sold without fasteners.**

for HARRELL		Nuts & Bolts NOT included			
NORWEST PART #	DESCRIPTION	SIZE	OEM #	# OF BOLT HOLES & HOLE SIZES	WEIGHT EACH (Approx. LBS)
7921736	Moldboard ; Plain	19-7/8" x 17-1/2" x 1/4"	7921736	(8) 1/2" Plow Head	30 LBS
RSH79006	Ribbed Switch Share; Plain	27-1/2" x 3/8"	7900636	(5) 7/16" Plow Head	11.5 LBS
SWH79006	Double-End Share; Plain	—	7900636	(5) 7/16" Plow Head	11.5 LBS
SWH79028	Double-End Share; Hardfaced	—	7902836	(5) 1/2" Plow Head	12 LBS
7920836	Shin (Lower); Chrome	—	7920836	—	1.79 LBS
9820736	Shin (Upper); Steel	5/16"	9820736	—	1.9 LBS
79010W	Landside (Short); Plain	4" x 6-1/2" x 1/2"	79010W	(2) 9/16" Plow Head	23 LBS per CTN/6
79206W	Landside (Long); Plain	4" x 13" x 1/2"	218270B	(4) 9/16" Plow head	46 LBS per CTN/6

Switch Moldboard For Harrell Part # 7921736	Landside (Long) For Harrell Part # 79206W	Landside (Short) For Harrell Part # 7910W	Double-End Share For Harrell Part # RSH79006/SWH79006
----------------------------------------------------------	--------------------------------------------------------	--------------------------------------------------------	--------------------------------------------------------------------





SWITCH PLOW PARTS

for LONG

Nuts & Bolts NOT included

NORWEST PART #	DESCRIPTION	SIZE	OEM #	# OF BOLT HOLES & HOLE SIZES	WEIGHT EACH (Approx. LBS)
SWL791406	Double-End Share; Plain	4-1/2" Wide	B791406	(5) 9/16" Plow Head	11.5 LBS
SWL791407	Double-End Share; Hardfaced	4-1/2" Wide	B791407	(5) 9/16" Plow Head	12 LBS
79010W	Landside (Short); Plain	4" x 6-1/2" x 1/2"	791404W 794104	(2) 9/16" Plow Head	23 LBS per CTN/6

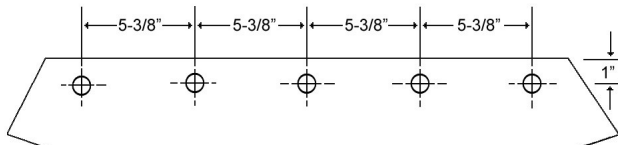
for JOHN DEERE

Nuts & Bolts NOT included

NORWEST PART #	DESCRIPTION	SIZE	OEM #	# OF BOLT HOLES & HOLE SIZES	WEIGHT EACH (Approx. LBS)
57264	Moldboard; Plain	19-7/8" x 17-1/2" x 5/16"	P-57264	(6) 1/2" Plow Head	21 LBS
RSD57270	Ribbed Switch Share; Plain	4-1/2" x 27-1/2" x 3/8"	RSD57270	(4) 7/16" Plow Head	11.5 LBS
SWD57270	Double-End Share; Plain	4-1/2" x 27-1/2" x 3/8"	57270 57043	(4) 1/2" Plow Head	11.5 LBS
SWD57043	Double-End Share; Hardfaced	4-1/2" x 27-1/2" x 3/8"	57270 57043	(4) 1/2" Plow Head	12 LBS
57522	Reversible Landside; Plain	8" x 11-1/2" x 5/16"	P57522	(4) 1/2" Plow Head	8.1 LBS
57265	Shin (Left Hand)	5/16"	P-57265	(3) 7/16" Plow Head	5.6 LBS per CTN/6
57266	Shin (Right Hand)	5/16"	P57266	(3) 7/16" Plow Head	5.6 LBS per CTN/6

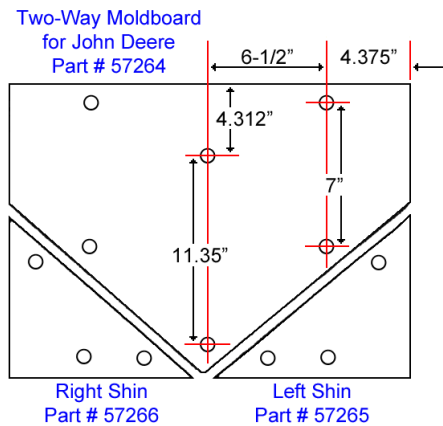
Double-End Share

For Long: Part # SWL791406



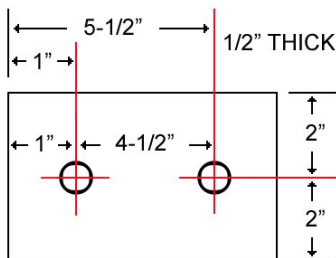
Two-Way Moldboard & Shins

For John Deere: Part # 57264



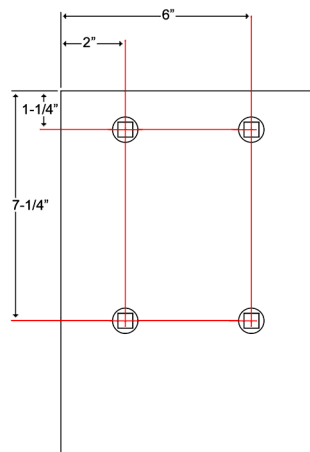
Landside (Short)

For Long: Part # 7910W



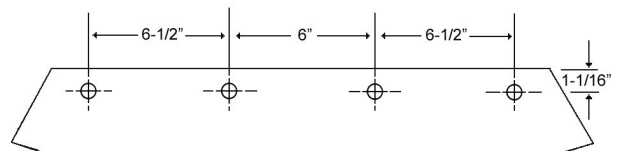
Reversible Landside

For John Deere: Part # 57522



Double-End Share

For John Deere: Part # RSD57270/SWD57270





SWITCH PLOW PARTS



CONSERVATION DEEP-TILL SYSTEM

CONSERVATION DEEP TILL SYSTEM:

The Conservation Deep-Till System is proven to provide the ideal combination of deep tillage, soil mixing, and proper management of nutrients while meeting most conservation guidelines. These special moldboards convert your existing plow into a conservation tillage tool by allowing 35%-65% of crop residue to stay on the surface while shattering and mixing all soil at a depth of up to 14". Residue amounts and tillage depths will vary depending on the make and model of the plow, field conditions and the adjustment of your machine.

The conservation deep-till system replaces only the moldboard on the plows listed below.

Conservation moldboards are manufactured using high-carbon, heat-treated steel.

CONSERVATION MOLDBOARDS

Nuts & Bolts NOT Included

TO FIT	OEM #	NORWEST PART #	BOTTOM SIZE	WEIGHT EACH (Approx. LBS)
IH SUPER CHIEF 700 & 800 SERIES 16" & 18"	462310, 58996	462314	14"-20" OR 16" & 18"	33 LBS
JD NU-1048 SERIES (Right Hand)	A17431	NU1048	18"	38 LBS
JD NU-1048 SERIES (Left Hand)	A17431	NU1048L	18"	38 LBS
OLIVER/WHITE; some DMI, CASE & FORD with OLIVER BOTTOMS	R419, R619	R419-R619-16	16"-18"	30LBS
OLIVER/WHITE; some DMI, CASE & FORD with OLIVER BOTTOMS (Left)	R419, R619	R419-R619-16L	16"-18"	30 LBS



NORWEST

MANUFACTURING

71 SOUTH 215 WEST-RUPERT, ID- PHONE: (208) 436-1770 - FAX: (208) 436-1776



PLOW BOLTS & NUTS

PART #	DESCRIPTION
BCH12138L	1/2" X 1-3/8" LEFT HAND CLIPPED HEAD BOLT
BCH12138R	1/2" X 1-3/8" RIGHT HAND CLIPPED HEAD BOLT
BCH716112L	7/16" X 1-1/2" LEFT HAND CLIPPED HEAD BOLT
BCH716112R	7/16" X 1-1/2" RIGHT HAND CLIPPED HEAD BOLT
BCH76114L	7/16" X 1-1/4" LEFT HAND CLIPPED HEAD BOLT
BCH76114	7/16" X 1-1/4" RIGHT HAND CLIPPED HEAD BOLT
BCHM16M40	16MM X 40MM RIGHT HAND CLIPPED HEAD BOLT
BCNM16	16MM RIGHT HAND METRIC NUT

PART #	DESCRIPTION
BHN12L	1/2" LEFT HAND NUT
BHN12R	1/2" RIGHT HAND NUT
BHN716L	7/16" LEFT HAND NUT
BHN716R	7/16" RIGHT HAND NUT
FPB100300	1" X 3" PLOW BOLT
FPB12150	1/2" X 1-1/2" PLOW BOLT
FPB12200	1/2" X 2" PLOW BOLT
FPB12250	1/2" X 2-1/2" PLOW BOLT

PART #	DESCRIPTION
FPB12300	1/2" X 3" PLOW BOLT
FPB34200	3/4" X 2" PLOW BOLT
FPB34250	3/4" X 2-1/2" PLOW BOLT
FPB34300	3/4" X 3" PLOW BOLT
FPB38150	3/8" X 1-1/2" PLOW BOLT
FPB38200	3/8" X 2" PLOW BOLT
FPB38250	3/8" X 2-1/2" PLOW BOLT
FPB38300	3/8" X 3" PLOW BOLT

PART #	DESCRIPTION
FPB58200	5/8" X 2" PLOW BOLT
FPB58250	5/8" X 2-1/2" PLOW BOLT
FPB58300	5/8" X 3" PLOW BOLT
FPB76125	7/16" X 1-1/4" PLOW BOLT
FPB76150	7/16" X 1-1/2" PLOW BOLT
FPB76200	7/16" X 2" PLOW BOLT
FPB76250	7/16" X 2-1/2" PLOW BOLT
FPB76300	7/16" X 3" PLOW BOLT